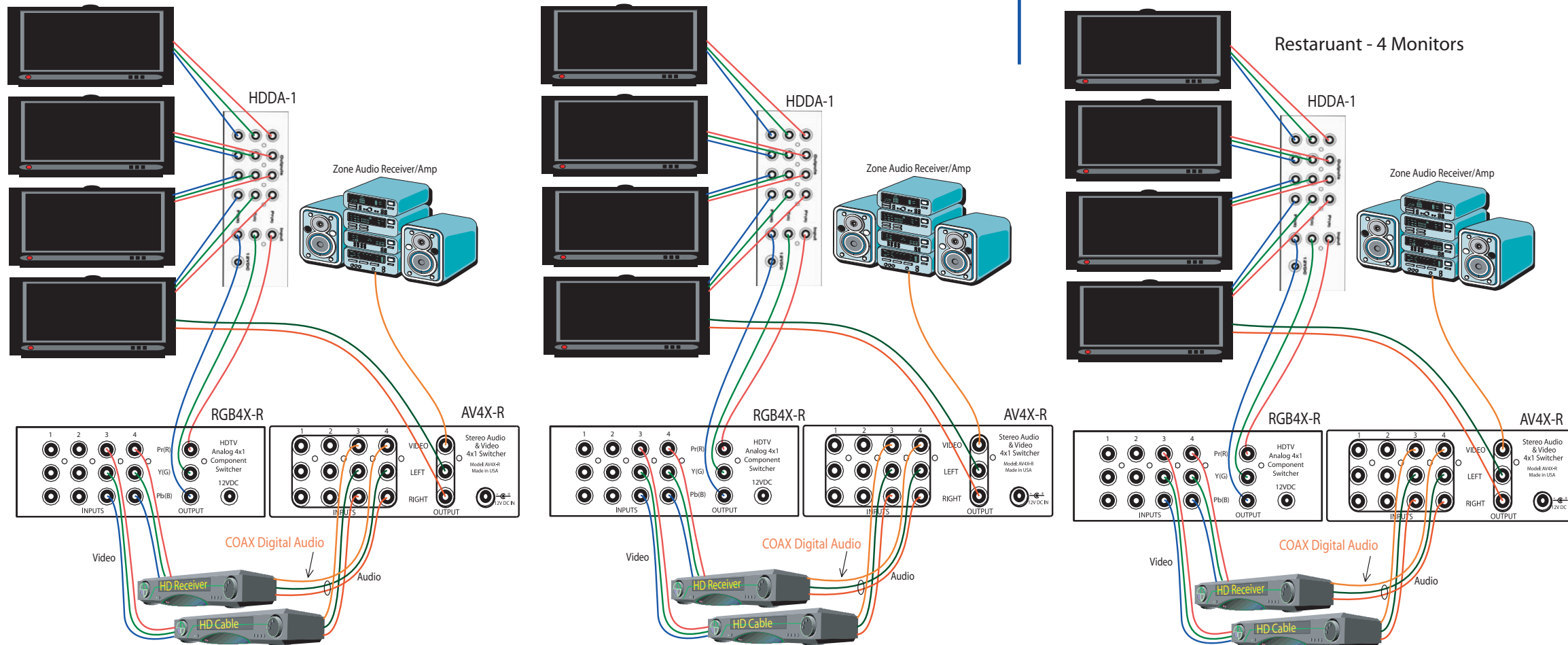
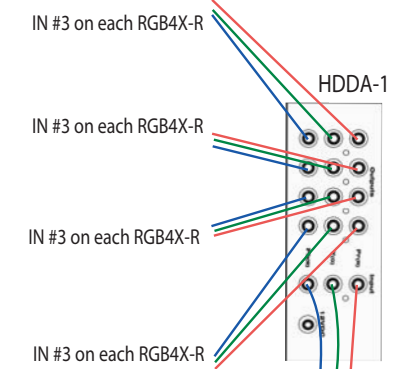
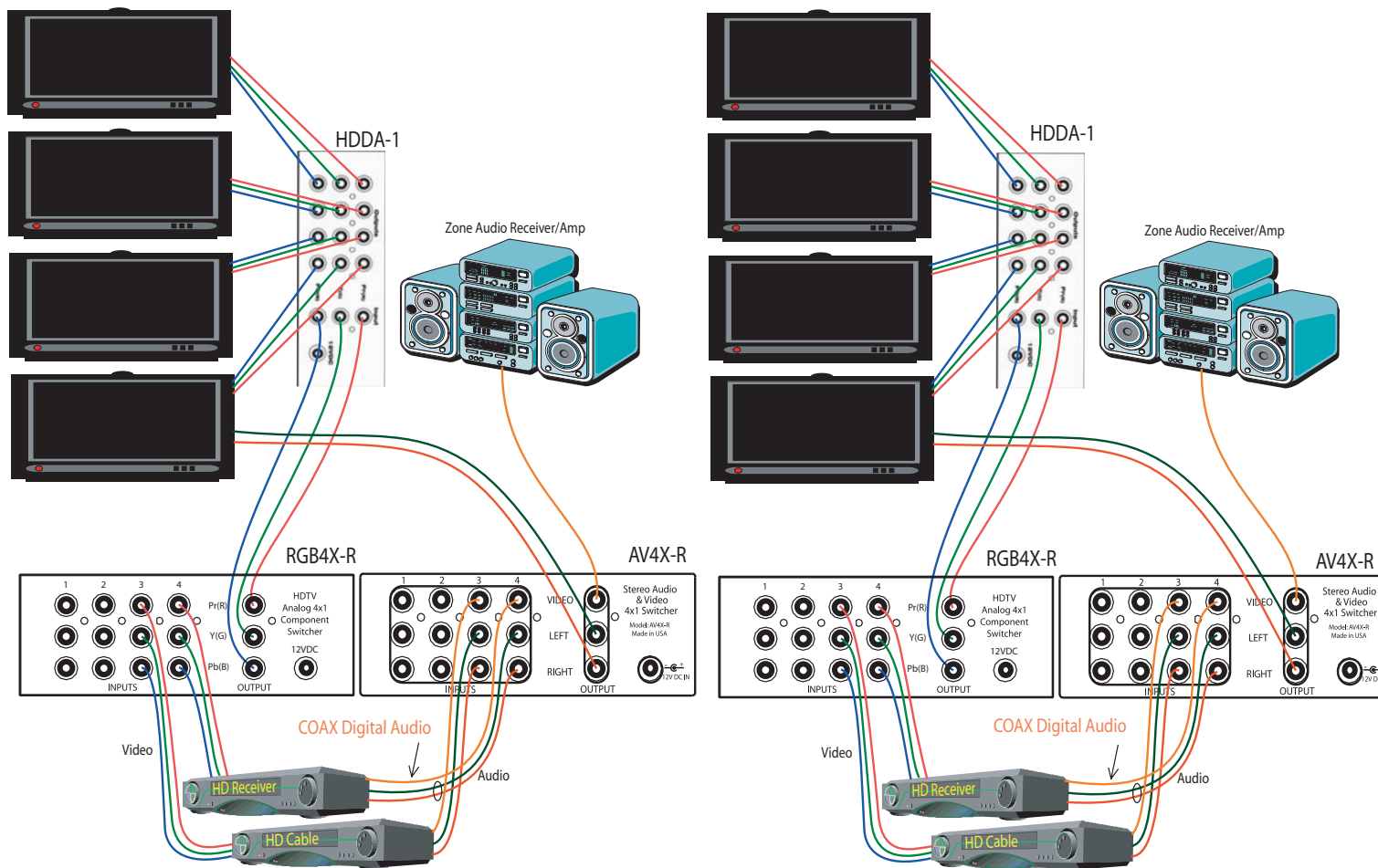
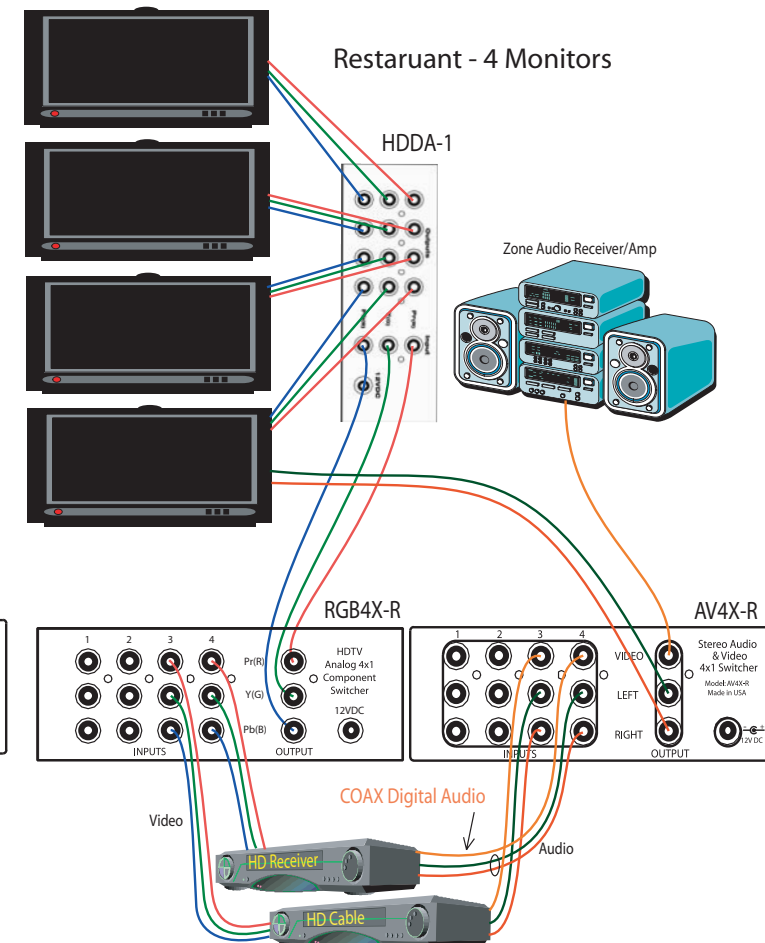


BAR 16 Monitors



Restaruant - 4 Monitors



- Items:  
 Qty 5 HDDA-1  
 Qty 5 RGB4X-R  
 Qty 5 AV4X-R

"Global FEED" This additional Receiver can be split and feed to each zone as Input #3. One Receiver can control the feed to the whole facility.



1818 NE 140th  
 Portland, OR 97230  
 503-255-1451  
 fax 503-251-0586  
 support@inday.com  
 www.inday.com

A typical multi zone sports bar. Each zone can switch between 2 sources and display that source on all monitors in that zone..