

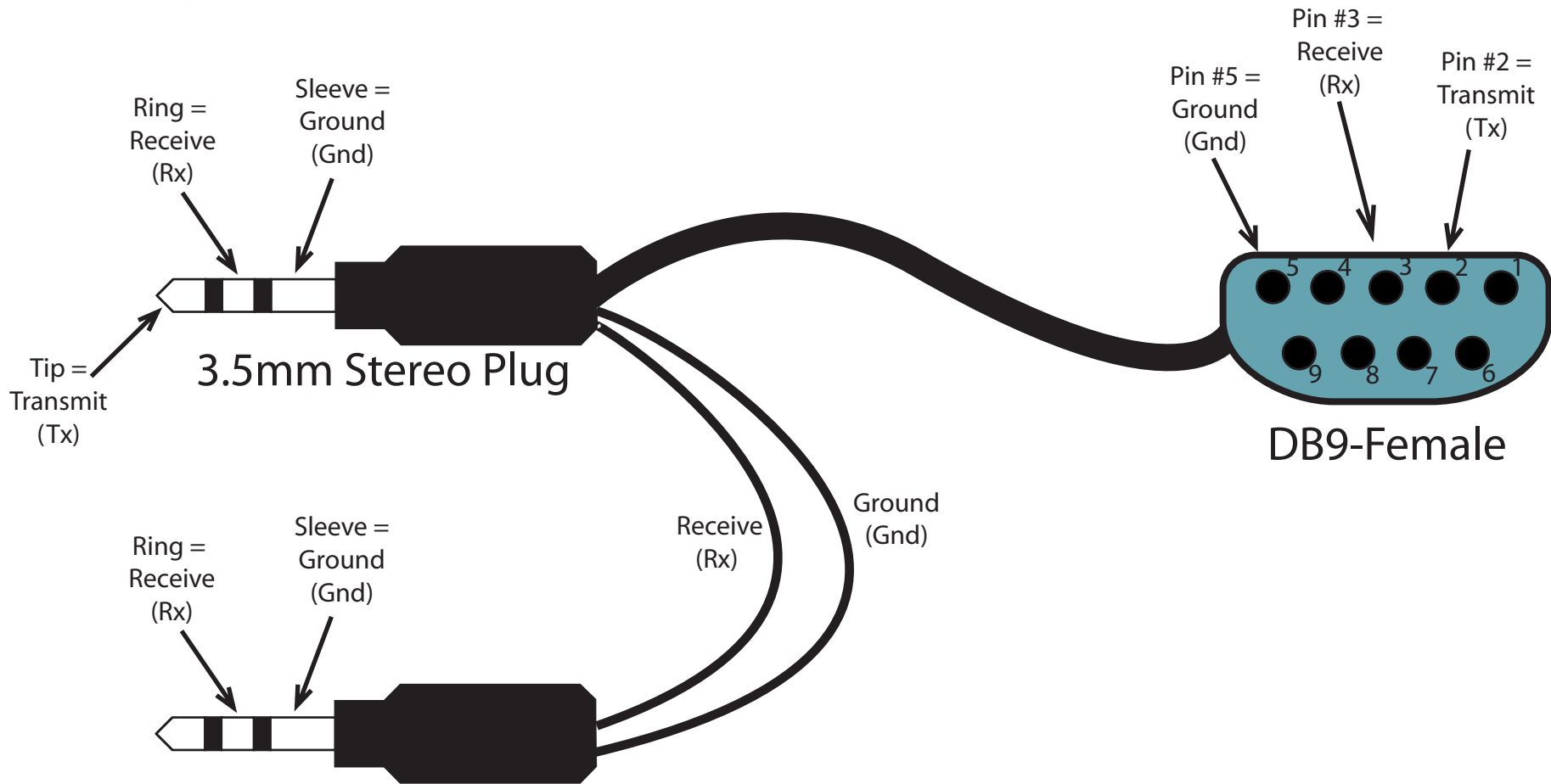


INDAY

1818 NE 140th
Portland, OR 97230
503-255-1451
Fax: 503-251-0586
www.inday.com
support@inday.com

Serial RS-232 Control Wiring

Applies to: RGB4X-RS, DA4X-RS, AV4X-RS
11/12/2004



To control two Inday switchers with one RS232 port: Wire an additional 3.5mm Plug with GND and RX only. Plug this "Loop" into the SLAVE unit. Both units will now receive the same RS232 commands transmitted from the Controlling PC. Only the Inday unit with TX connected will transmit status back to the Controlling PC.

If your Inday device has a "LOOP" port on the rear. Use a standard 3.5mm stereo cable to connect to the slave unit